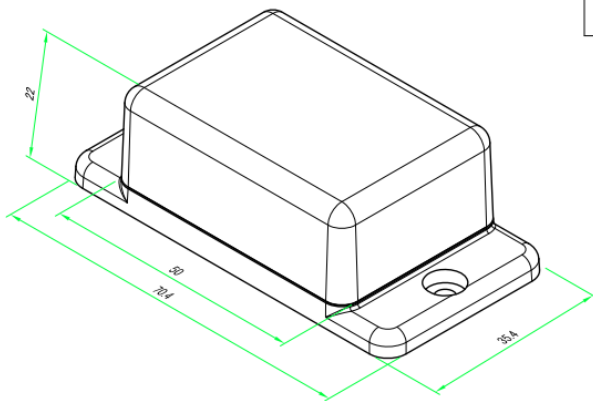
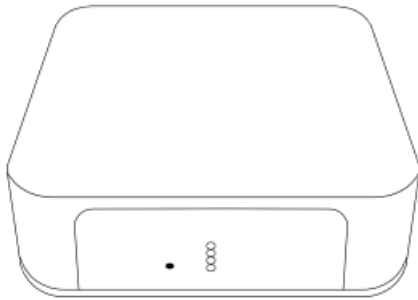


# REDUXI CONVERTER FOR AM550 METER

User Manual

Version V1.0 12.2022

[www.redux.eu](http://www.redux.eu)



1
2
3



# 1. INTRODUCTION

Welcome to the world of Reduxi which allows you to take control of energy costs and efficient use of electricity for sustainable development. Main features:

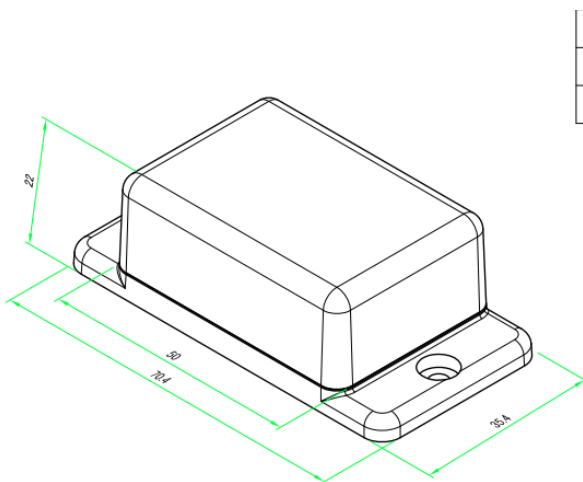
- PEAK POWER MANAGEMENT,
- SOLAR POWER PLANT PRODUCTION MANAGEMENT,
- OPTIMISATION OF ELECTRICITY CONSUMPTION.

Accurate measurement and energy consumption analysis are the first steps towards the energy reduction. To achieve this goal, you need the right technology. Reduxi Converter enables the connection of AM550 meter to Reduxi system via Reduxi Controller or Reduxi Gateway device.

## 2. SPECIFICATIONS

### 2.1. Dimensions

- Table housing that can be attached.
- Dimensions: 35.4 x 70.4 x 22 mm.
- Protection: <IP20.
- Weight: 30 g.



(Length: 35.4 mm)

(Width: 70.4 mm)

(Height: 22 mm)

## 2.2. Technical data

POWER SUPPLY	
Power supply	AM550 meter

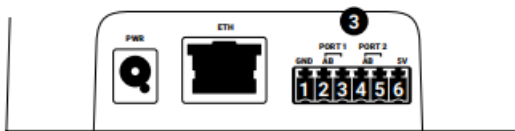
PINS	
AM550 meter	RJ12
RS485	1x 3-pin connector

CONNECTIVITY	
RS485	Depending on the settings on the meter (example: 1x 115200 BAUD half duplex)
AM550 meter	P1 port TTL level

OTHERS	
Operating temperature range	From 0°C to +40°C
Storage temperature range	From -10°C to +70°C
Relative humidity during operation	< 95% (doesn't condense)
Protection	< IP20

## 2.3. Connection plugs

### 2.3.1. RS485 plugs





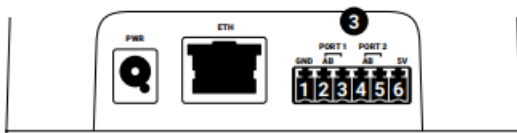
GND, AB (port 1)

Picture 1: Communication plugs RS485 (marked with number 1).

1. GND
2. A (port 1)
3. B (port 1)

- Maximum data transfer rate: 921600 BAUD.
- Half duplex.
- Voltage level: 0 V – 5 V.

### 2.3.2. RJ12 plugs



GND, AB (port 1)

Picture 1: Communication plugs RS485 (marked with number 1).

1. +5V DC power supply.
2. Data line demand – input.
3. Data GND.
4. NC – not connected.
5. Data line – output.
6. GND power supply.

- Communication via Iskra P1 output.
- Voltage level: 0 V – 5 V.

### **2.3.5. LED indicator lights**

Green LED: power supply is active.

Yellow LED: flashing during data transfer.

## **3. CONNECTION INSTRUCTIONS**

For the first configuration, you need to connect Reduxi Converter to Reduxi controller or Reduxi Gateway to RS485 port. For the connection, we recommend using a double-insulated twisted-pair wire with a braid (shielded cable).

- Double-insulated twisted-pair wire must be connected in the following way: the first wire on the converter A is connected to Reduxi wire A. Connect the other wire on inverter B to Reduxi wire B. Connect the braided cable (shielded cable) to GND.
- Connect Iskra AM550 meter with RJ12 cable to Reduxi Converter (make sure the order of the wires in RJ12 cable matches on both sides of RJ12 cable).
- The green LED from above should start to glow.

For software configuration/installation, please visit the website where you find the latest documentation:

<https://www.reduxi.eu/en/knowledge-base/>.

## 4. GENERAL INSTRUCTIONS FOR USE

- Read these instructions. Keep these instructions. Follow and abide by all the warnings.
- Install the product according to the producer's instructions.
- The product must not be exposed to vibration.
- Remove all packaging before plug in the product to an electricity supply.
- Do not place the product on an unstable ground.
- Do not place any objects such as lamps, books, vases of water, tablecloths, etc. on the product. Do not cover the ventilation slots.
- Do not expose the product to liquids, rain or moisture.
- Unplug the product before cleaning. Do not use liquid or spray cleaning agents to clean the product. Use a soft, dry cloth for cleaning.
- Do not insert objects into the openings of the product. This may cause a short circuit and lead to electric shock or fire.
- Do not open or repair the product yourself. Opening the product will make your warranty invalid. This product contains no user-replaceable parts.
- Always unplug the product when you plan to move it.
- Avoid procedures that may cause a short circuit.
- Do not remove the original labels from the product.
- Do not use the product near water.
- Do not install the product near heat sources such as radiators, heaters, etc.
- Protect the electric cable and route it in such a way that it will not be walked on and that there are no objects next to it that could pinch or twist it.
- Only use accessories/additional equipment specified by the producer.
- Unplug the product during storms or when not in use for a long time.
- All repairs should be performed by qualified service personnel.
- The correct voltage for this product is specified in these instructions. You can only connect the product to a socket with the voltage and frequency specified in these instructions. If you do not have information about the voltage, contact your service provider or electricity distribution company.
- Do not overload electrical socket or extension cords or electrical enclosures.

### **Producer**

Name: AMIBIT d.o.o.

Address: Šaleška 2 a, 3320 Velenje

Identification Number: 6930808000

TAX ID: SI51315831

Email: info@reduxi.eu

Phone: +386 (0)3 777 01 40

### **Document**

Purpose: REDUXI CONVERTER FOR AM550 METER

Version: V1.0 12.2022

### **Copyright**

© 2022 AMIBIT d.o.o.

All rights reserved. No part of this document may be reproduced, stored on a storage and retrieval system or in any other form, electronic, electrostatic, magnetic tape, photocopying or otherwise without the prior written permission of AMIBIT d.o.o.